

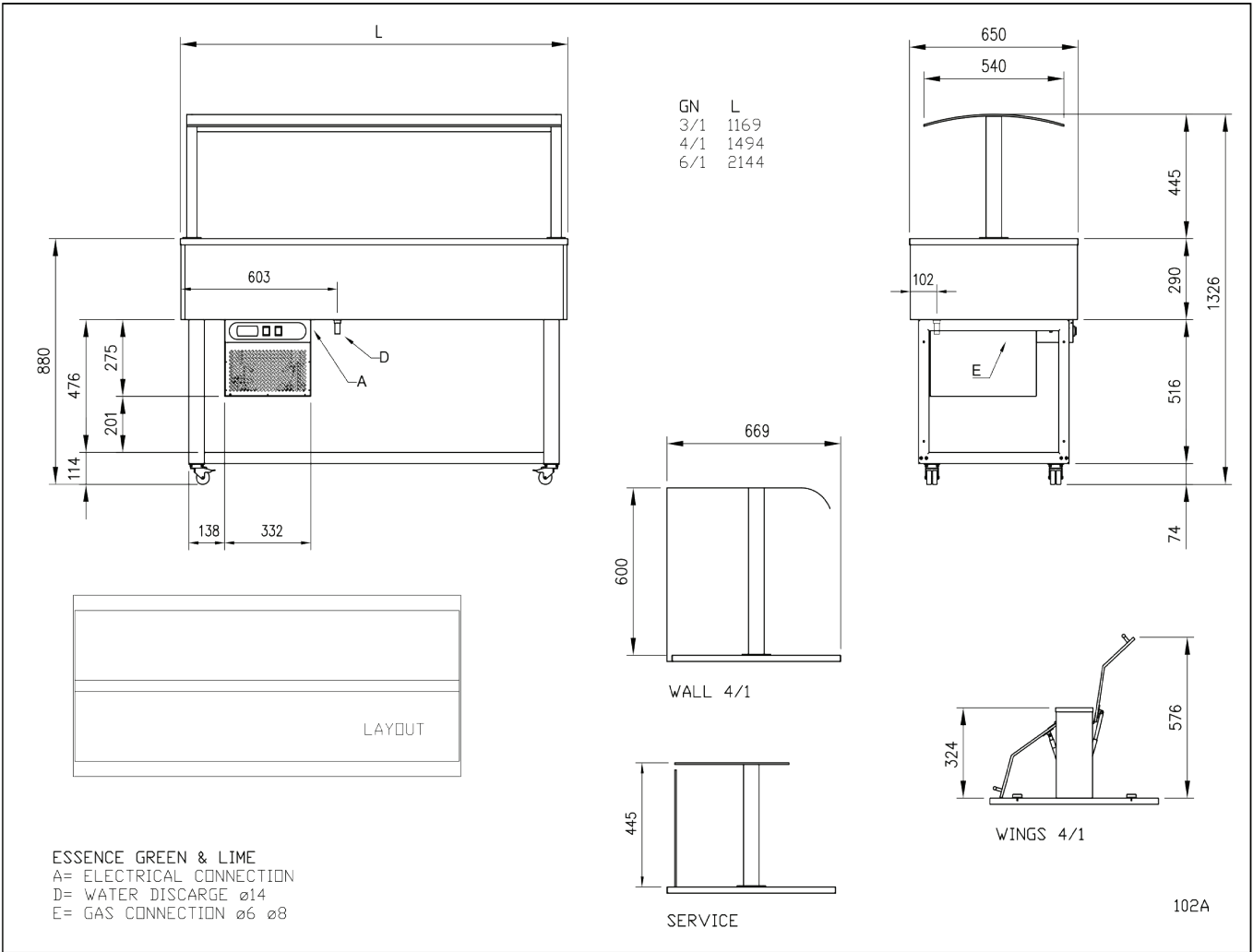


ESSENCE GREEN 6

A buffet with static cold well unit for the quality presentation of food. With a sturdy, chrome plated frame on wheels and timber cladding with energy efficient LED lighting, it is suitable for the display of food for hotels, government services, catering companies, mining kitchens and buffet restaurants.

MODEL NO:	6/1
DIMENSIONS STRUCTURE FREE:	2208mm x 714mm x 1100mm
DIMENSIONS WITH STRUCTURE:	2208mm x 714mm x 1595mm
DIMENSIONS INNER TUB:	250mm
WEIGHT:	132 (168) kg
STORAGE CAPACITY:	6 GN1/1
TEMPERATURE:	+4/ +8°C
CLIMATE CLASS INDEX:	3
REFRIGERATION POWER W(-10°C/+45°C):	545
REFRIGERANT FLUID R404A(g):	280
ABSORBED POWER:	275
MAX ABSORBED CURRENT:	5.22
VOLTAGE AND NET FREQUENCY:	230v/50Hz

BUFFET WITH STATIC COLD WELL ESSENCE GREEN 6



Exclusive importer for Afinox

8 Guthrie Street, Osborne Park
Western Australia, 6017
Perth Australia

T: +61 08 9242 7521
F: +61 08 9242 7168

sales@ableproducts.com.au
ableproducts.com.au